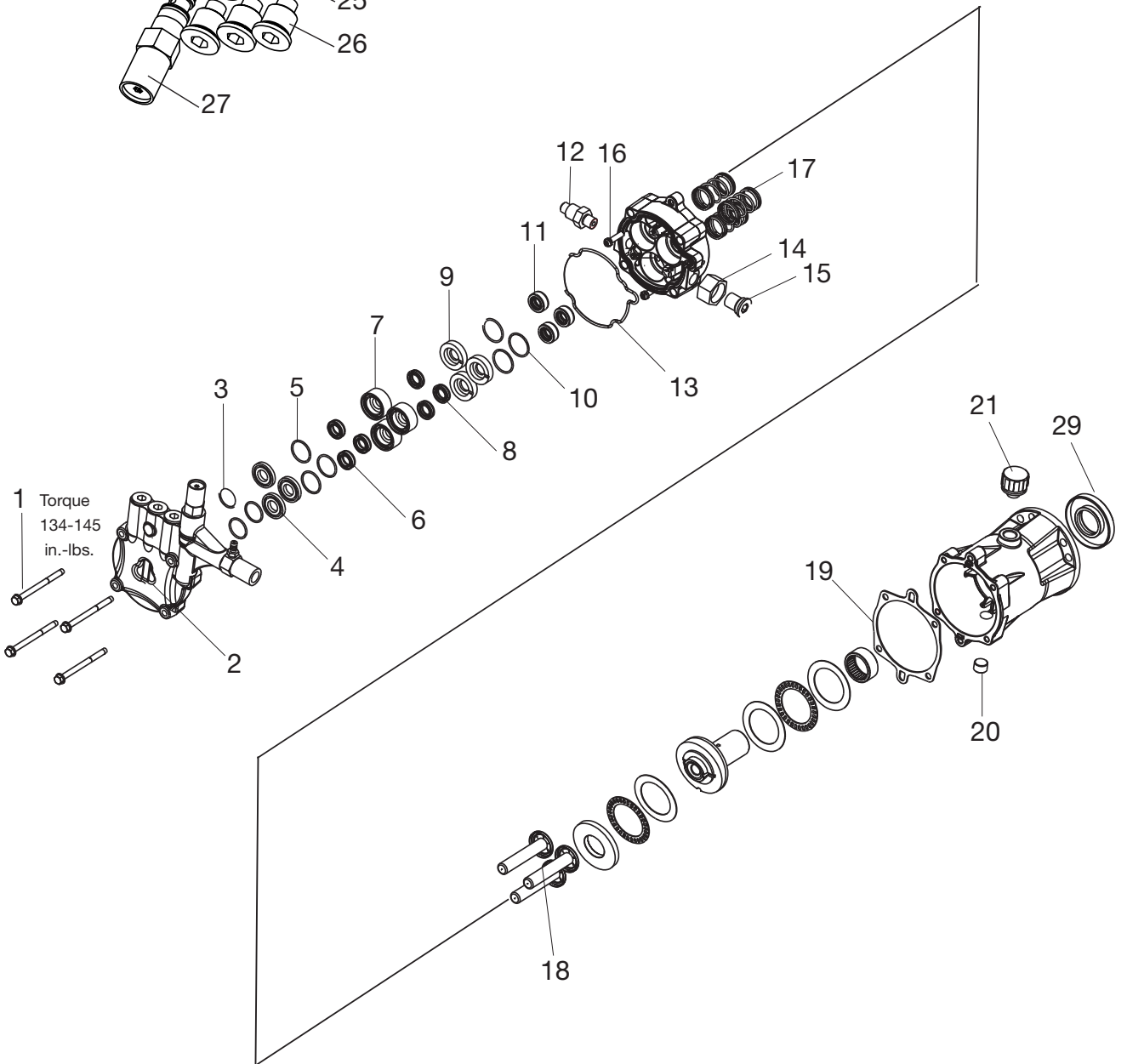
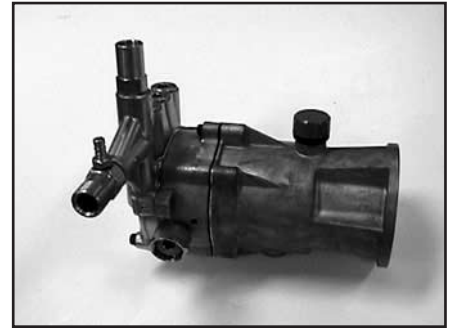
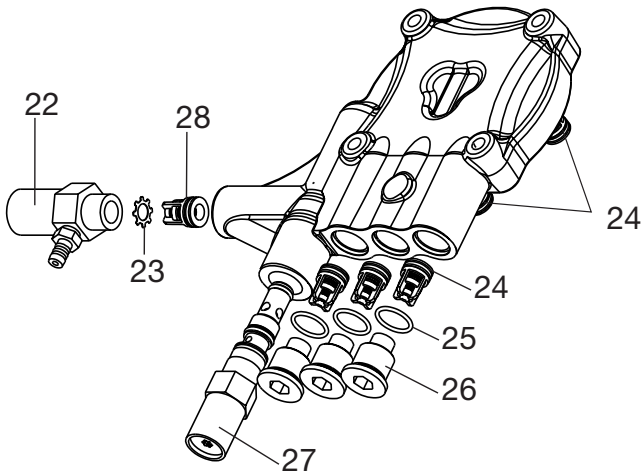


# PK16331 - DeVILBISS PUMP



# PK16331 - DeVILBISS PUMP PARTS LIST

<u>Key#</u>	<u>Part #</u>	<u>Description</u>
1	17228	Pump Head Bolts (4 used)
2	16368	Pump Head Assy
3	16363	O-ring, Head Seal (qty 3)
4	16349	Washer, Seal (qty 3)
5	16361	Carrier, O-ring (qty 3)
6	16347	Water Seal (qty 3)
7	17019	Seal Retainer, High Pressure (qty 3)
8	16346	Seal, Leak Back (qty 3)
9	17020	Seal Retainer, Low Pressure (qty 3)
10	16366	Carrier O-ring (3 used)
11	16344	Oil Seal (qty 3)
12	17658	Thermal Relief Valve
13	16365	Journal O-ring
14	H061	Swivel Nut, Garden Hose
15	17701	Swivel, 3/8 NPT male (taped H068)
16	16358	Screw, 1/4"-24 x 1 (qty 2)
17	16912	Piston Spring (qty 3)
18	16340	Piston Assy (qty 3)
19	17283	Cam Housing Gasket
20	16364	Plug, 3/8" NPTF
21	16913	Oil Vent Cap
22	17249	Chemical Injector
23	16367	Retaining Ring
24	16350	Valve Assembly w/o'ring (qty 6)
25	16360	O-ring Valve PULug (qty 3)
26	16332	Valve Plug (qty 3)
27	16355	Unloader Assembly
28	17783	Complete Valve Assembly w/o-ring
29	18325	Oil Seal

### **Other available Kits:**

- 17319 Retainer Assy Kit, contains Key #s 8, 9, and 10.
- 17320 Washer Seal Assy Kit, contains Key #s 3 and 4.
- 17323 Valve Kit
- 17324 Bearing Kit
- 18245 Oil Seal Kit, contains key#s 11 (qty3), 29 (qty1), and 19 (qty 1)
- 18246 Water Seal Kit, contains key#s 6 (qty3), 8 (qty3), and 13 (qty 1)

### **General Information:**

- Uses R&O 150 oil -8oz. (If can not find use 30W non-detergent oil-8 oz)
- F035 quick connect used on chemical injector
- Kit contains- F078 lockwasher 5/16 (pump to engine) 17204 screw 5/16-24 x 3/4 (pump to engine) P448 key, H140 chemical hose

# PK16331 - DeVILBISS PUMP REPAIR KIT

**17319 Retain Assembly Kit**



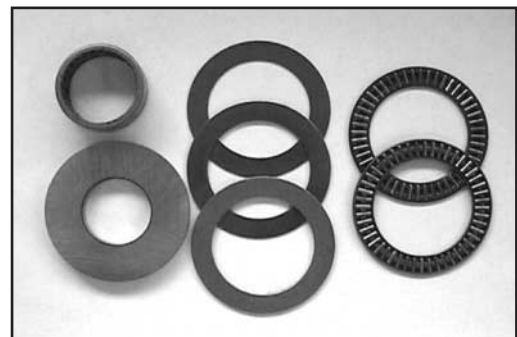
**17320 Washer Seal Assembly Kit**



**17323 Valve Kit**

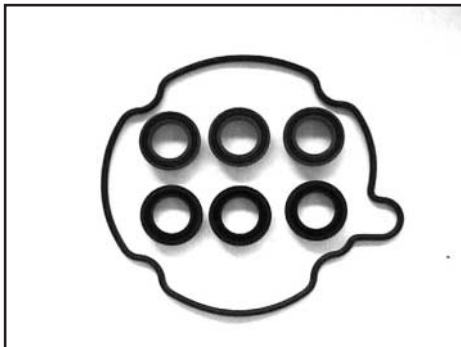


**17324 Bearing Kit**



**18246 Water Seal Kit**

contains Key#'s 6 (qty 3), 8 (qty 3), and 13 (qty 1)



**18245 Oil Seal Kit**

contains Key #s 11 (qty 3), 29 (qty 1), 19 (qty 1)

